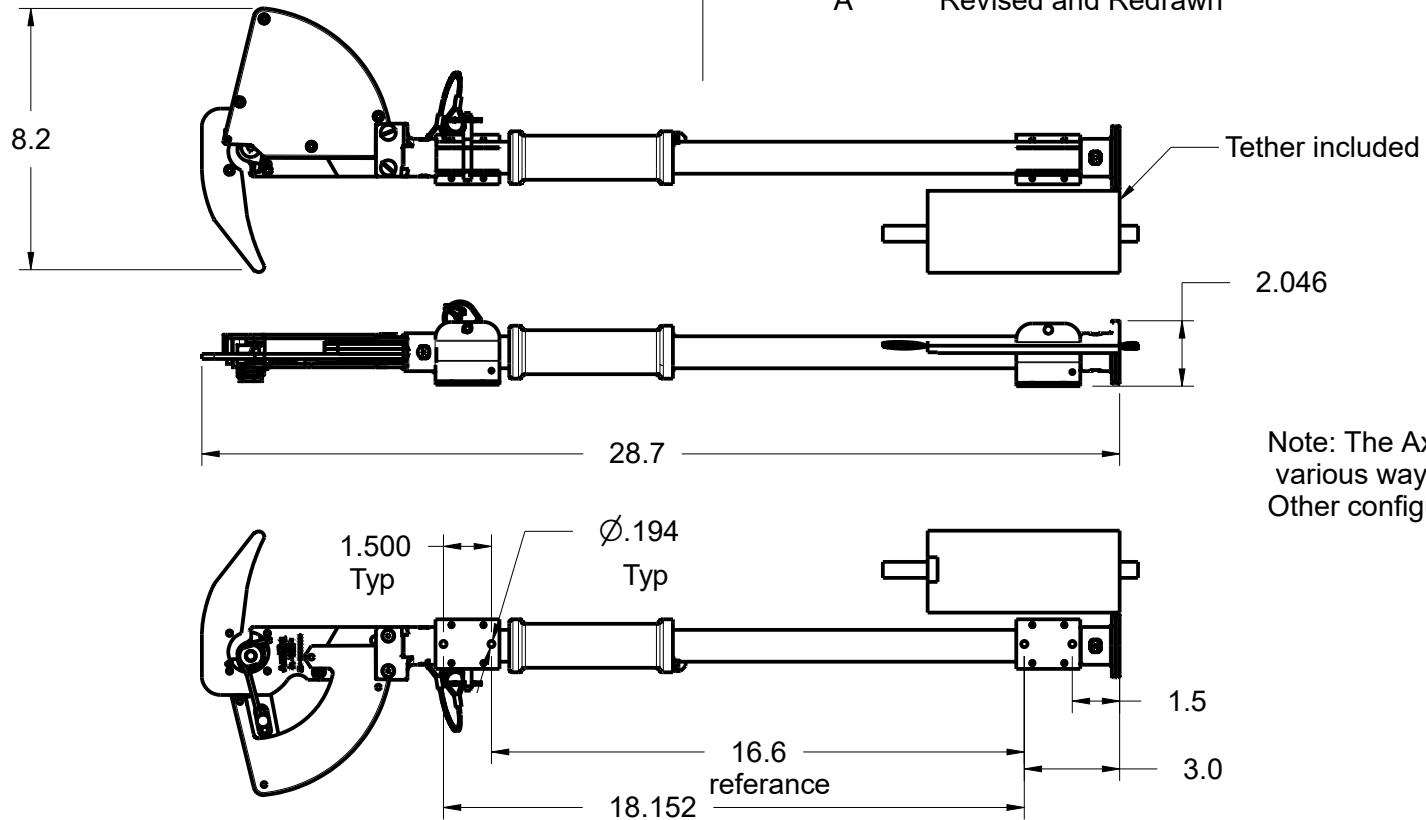


This drawing is proprietary to Zephyr International LLC and may not be copied or disclosed without written permission.

REVISIONS				
ZONE	REV	DESCRIPTION	DATE	APPROVED
	A	Revised and Redrawn	10-1-2012	



Note: The AxelCut can be installed in various ways. This is one method. Other configurations are acceptable.

Item Number	Quantity	Part Number	Part Name	Revision	Comment
1	1	ZL-1000-1	Axelcut		

Material: See B/M	DRAWN	DATE	Zephyr International LLC			
	MM	2-12-2003				
	Finish: Clean and dry	CHECKED		AxelCut Installation		
	QA					
	MFG		SIZE	FSCM NO.	DWG NO.	REV
	APPROVED	<i>[Signature]</i>	A	3CAT3	ZL-1000-10	A
			SCALE		SHEET	1 of 1

Tolerances  
 .0= +/- .015  
 .00= +/- .010  
 .000= +/- .005

All dimensions in inches